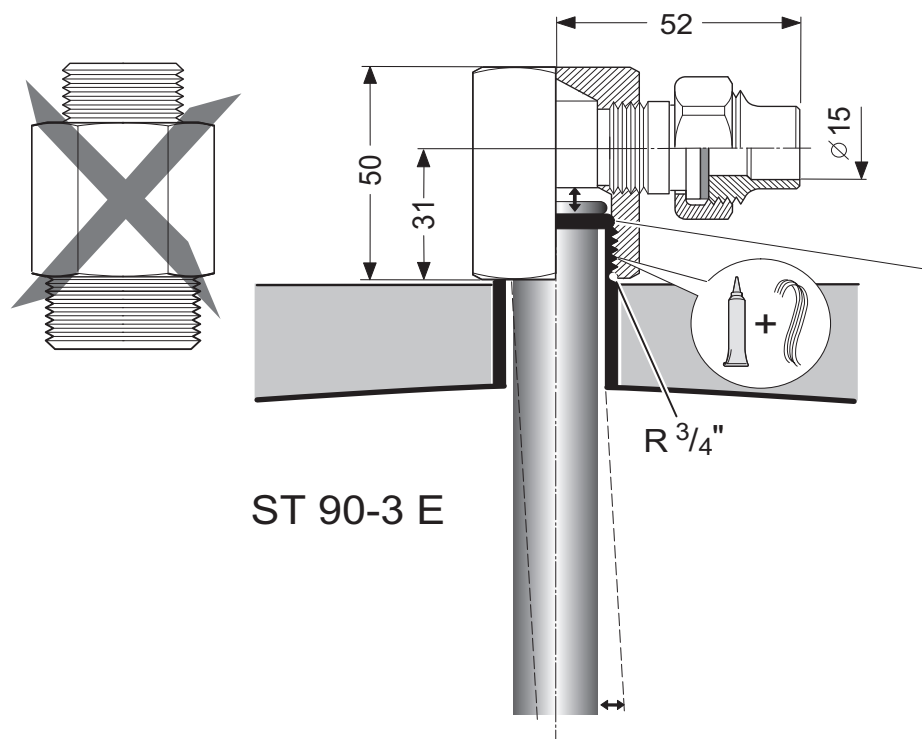
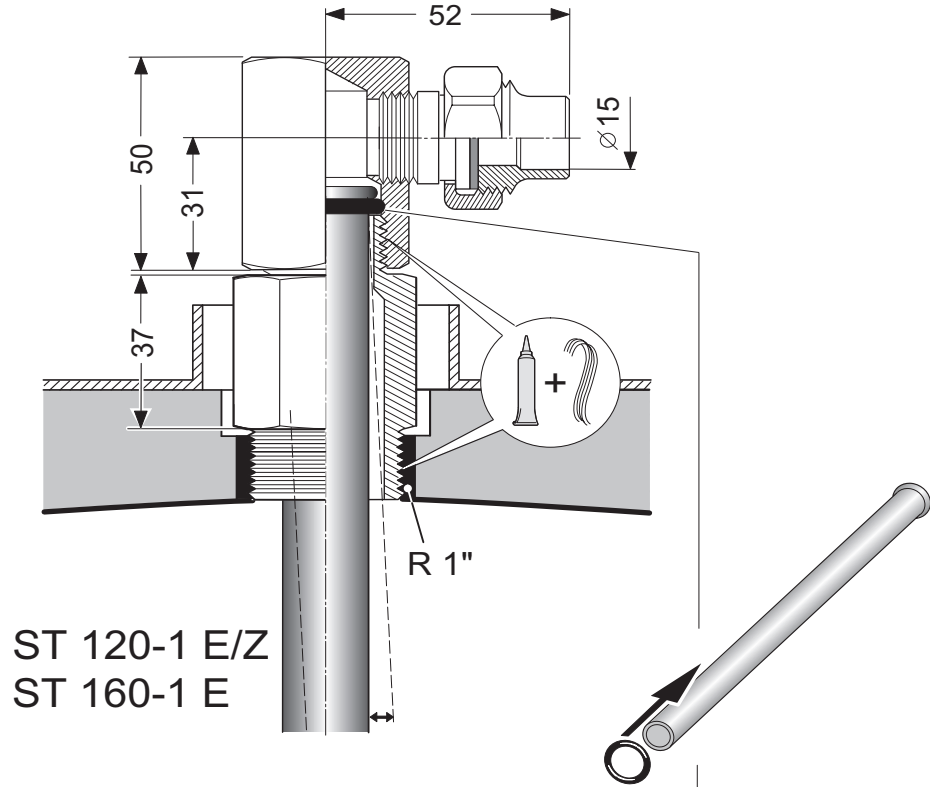


ZL 102/1

7 719 001 934



6 720 610 248 (04.06) Gm

BOSCH

JUNKERS

e.i.m. leblanc

WORCESTER

Vulcano

Robert Bosch GmbH
Division Thermotechnology
P.O. Box 1309
D-73243 Wernau/Germany

www.bosch.com